

## ProSeries Printhead Vent Filter

**To:** ProSeries FoxJet Distributors  
**From:** Terry Smith  
**Date:** 02/03/2016

Technical Bulletin 20160203

New Vent Filter: 2460-159  
Printheads: All HR Heads  
New Manual Version: 2464-172, Rev. K  
Adapter Kit for older Heads: 2464-649  
Recommended Upgrade: When needed  
Upgrade Duration: Allow 10-20 minutes



Foxjet introduced the X40119-01 Vent Filter to prevent dust and other contaminants from entering the Ink Tank through the open vent. This Filter was released around 2000 and has worked well over the years with one exception, it is too easy to knock off and lose. This has been a complaint from our Distributors for sometime and we have been working on a solution. The new 2460-159 Vent Filter has a luer fitting that positively locks, and can still be removed and replaced. We have field tested the new design and will start shipping it with all new Printhead orders.

A side benefit is that the new Vent Filter cost less then the old one.

Older Heads can be retrofitted to use the new Filter by adding an adapter Kit 2464-649 to the Ink Supply.

### The products affected:

**Pro Heads:**  
2464-034, 2464-025, 2464-232, 2464-236, 2464-3490D, 2465-02590D, all custom variations of these, inked or flushed versions, built after Jan 31, 2016, .

### Upgrade needed:

Heads built before Feb. 1 2016 can be upgraded by adding a Filter upgrade Kit (2464-649). This kit works on all ProSeries Heads using any Ink type.

### Instructions:

Filter installation instructions, See page 2 taken from document 2464-172 Rev. K.

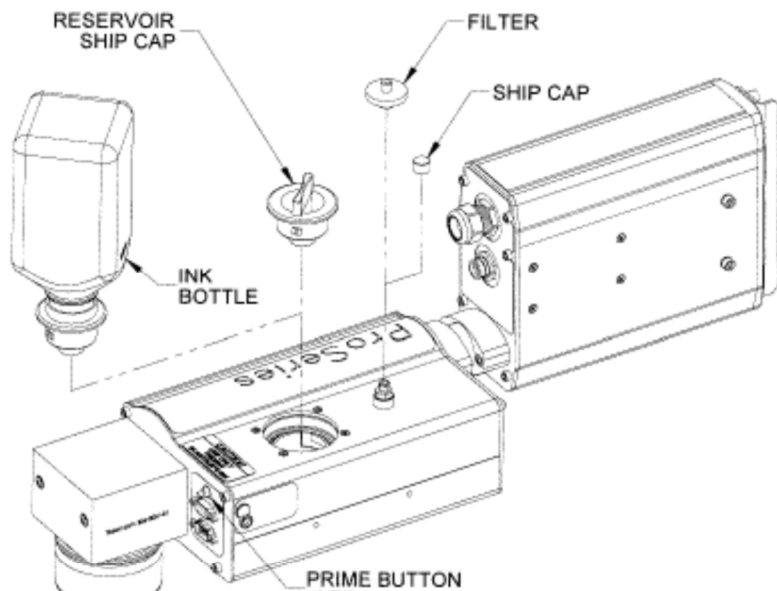
Kit 2464-649 comes with instruction to add the Adapter. See example on page 2.

## ProSeries Printhead Vent Filter

Date: 02/03/2016

Page 2

Technical Bulletin 20160203



### Vent Filter Installation

Remove the Vent Ship Cap (Luer Plug) from the Ink Supply vent by twisting it counter clockwise.

Note: Save the Cap for future use (Shipping/Storage).

Attach Vent Filter on to vent fitting in a clockwise direction.

### 2464-649 Vent Filter Adapter Instructions

Remove the 4 cap-head Allen screws from the top four corners of the Ink Supply Cover.

Remove Ink Bottle (or Reservoir Ship Cap).

Remove the Cover, you may need to pry at both ends. Note: the Cover will not come off if the Ship Cap is installed.

Push the old Reservoir Vent Cap out of the Cover from the inside.

Install the adapter tubing seal (#5) over the Reservoir Ink Tank Vent.

Install the Adapter (#1) over the vent and seal.

Install the Gasket (#2) over the Adapter.

Reinstall the Cover and screws.

Attach Filter or Shipping Cap.

